



PG-CB – CoolBore Extended powRgrip® Coolant Options

Peripheral cooling for demanding applications with the new PG-CB collets – complementary to the established Standard and PG-CF CoolFlush variations

VERSATILE

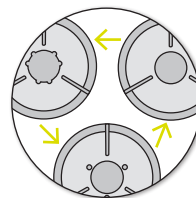
Three different coolant options – combine the optimal toolholder with perfect cooling

TAILORED

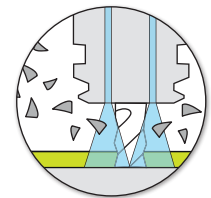
Flood- and internal cooling as well as two varieties for peripheral cooling provide the best solution for the highest demands

powRgrip®

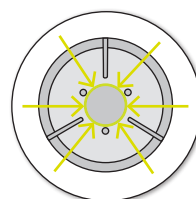
The most versatile tool clamping system – for today and tomorrow



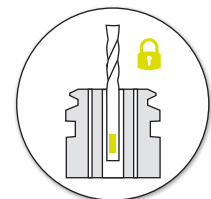
Coolant system changed within seconds



Efficient chip removal



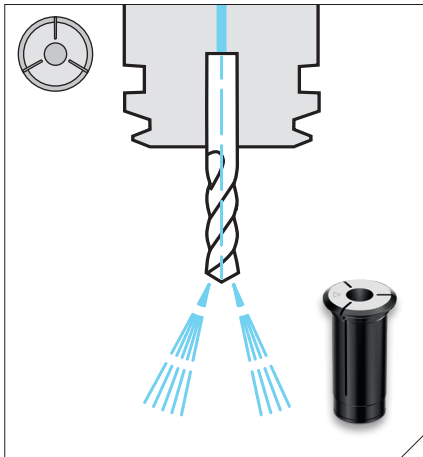
Perfect form-fit



secuRgrip® compatible on request

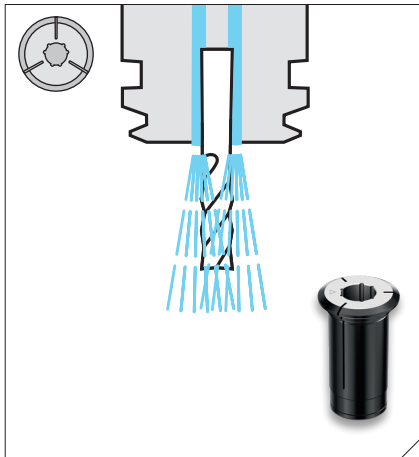
powRgrip® cooling options overview

Standard: Internal coolant



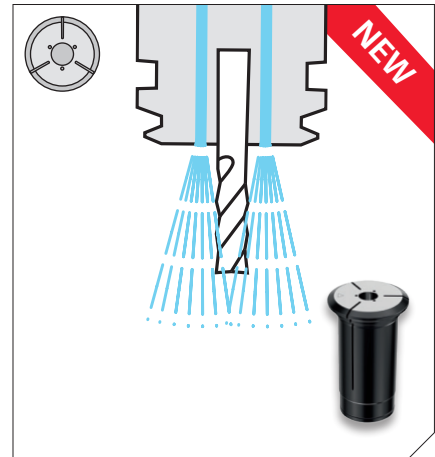
- // Best chip removal, cooling and lubrication in deep drilling
- // Drilling, tapping, applications with coolant through
- // From light to heavy machining

CF: CoolFlush



- // Coolant perfectly guided along the tool shank
- // Best results at high rpm
- // For light up to medium applications

CB: CoolBore



- // Highest clamping force due to perfect form-fitting
- // High output pressure for optimized chip removal
- // From medium to high performance applications



Type	Part. No.
PG 25-CB	
PG 25-CB Ø 6.00mm	1725.06009
PG 25-CB Ø 1/4"	1725.06359
PG 25-CB Ø 8.00mm	1725.08009
PG 25-CB Ø 3/8"	1725.09529
PG 25-CB Ø 10.00mm	1725.10009
PG 25-CB Ø 12.00mm	1725.12009
PG 25-CB Ø 1/2"	1725.12709
PG 25-CB Ø 5/8"	1725.15889
PG 25-CB Ø 16.00mm	1725.16009

Type	Part. No.
PG 32-CB	
PG 32-CB Ø 12.00mm	1732.12009
PG 32-CB Ø 1/2"	1732.12709
PG 32-CB Ø 5/8"	1732.15889
PG 32-CB Ø 16.00mm	1732.16009
PG 32-CB Ø 3/4"	1732.19059
PG 32-CB Ø 20.00mm	1732.20009